

Single Axis $\pm 60^\circ$ Range

Model : SP1 (PWM Output Type)

The DAS electronic clinometer SP1 is an outstanding, low-priced angular measurement sensor.

Specially designed as electronic capacitive liquid type equipped with integral circuit, this tilt sensor has very low price as well as highly stable performance even in long-time use.



Features

- Capacitive Liquid Based Sensor
- Compact size: 15 x 19mm
- Rugged plastic housing
- Lightweight: 5g

Application

- Robotics
- 3D Mouse
- Toys
- Other Motion Detections

Performance Specification

Measuring range	$\pm 60^\circ$
Resolution	<0.1 degrees
Non-linearity	<1% FS
Transverse Sensitivity	<0.5% at $\pm 60^\circ$ tilt
Response time	<0.5 second
Power supply (Regulated)	5 Vdc
Min.to Max.supply	3 to 6 Vdc
Current consumption 5V	<1 mA
Operating Temperature	-30 to .. $+60^\circ\text{C}$
Storage Temperature	-45 to .. $+90^\circ\text{C}$
Weight	approx. 5 g

Performance Specification

Sensitivity	approx 30 $\mu\text{s}/^\circ$
Zero offset at 5V	1.25mS \pm 0.30mS
Temperature Drift of sensitivity	1% / $^\circ\text{C}$
Temperature Drift of Zero	± 0.05 mV/ $^\circ\text{C}$
Output impedance	10 kOhm

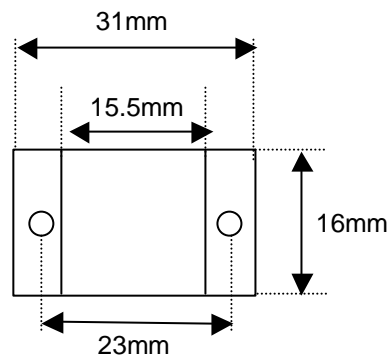
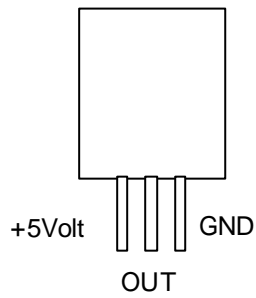
■ Model Type

SP1 : PWM Output Type

■ OPTION

Built-in Unit : Bracket

■ PIN CONNECTION



< Option >

■ DIMENSION

